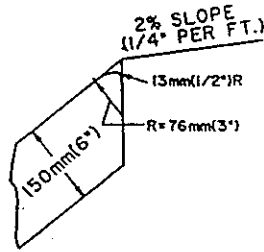
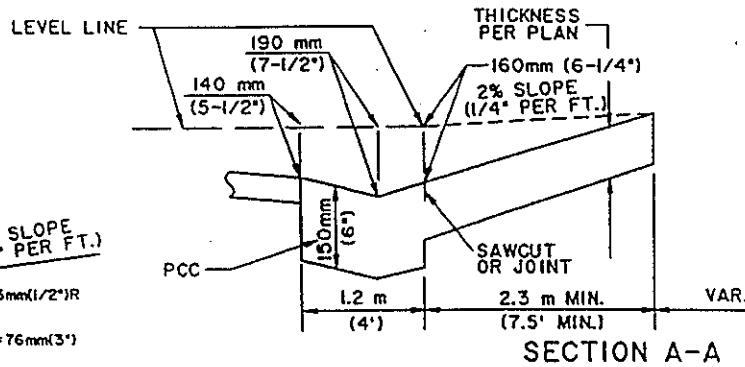
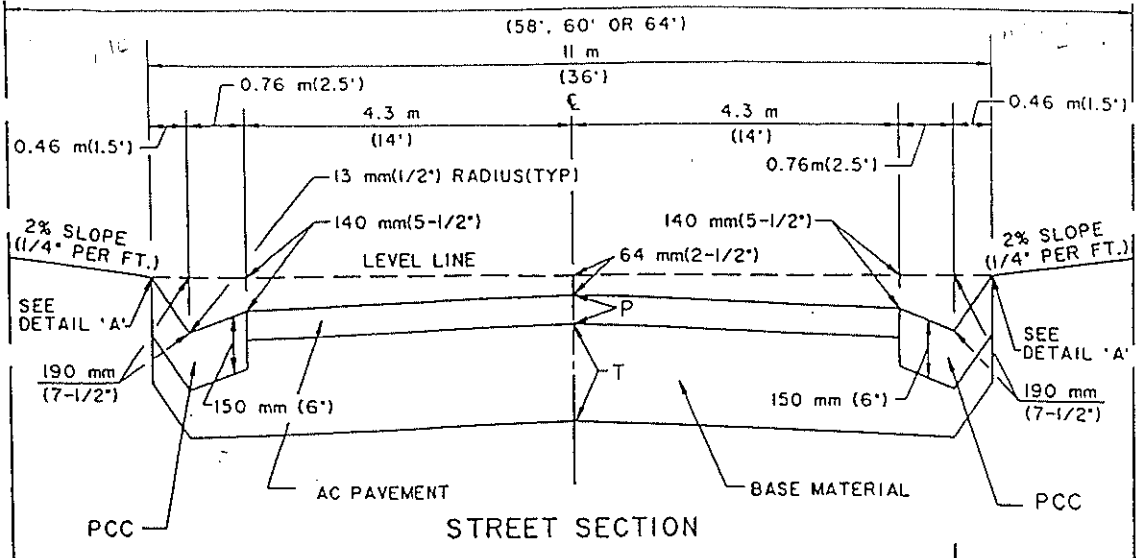


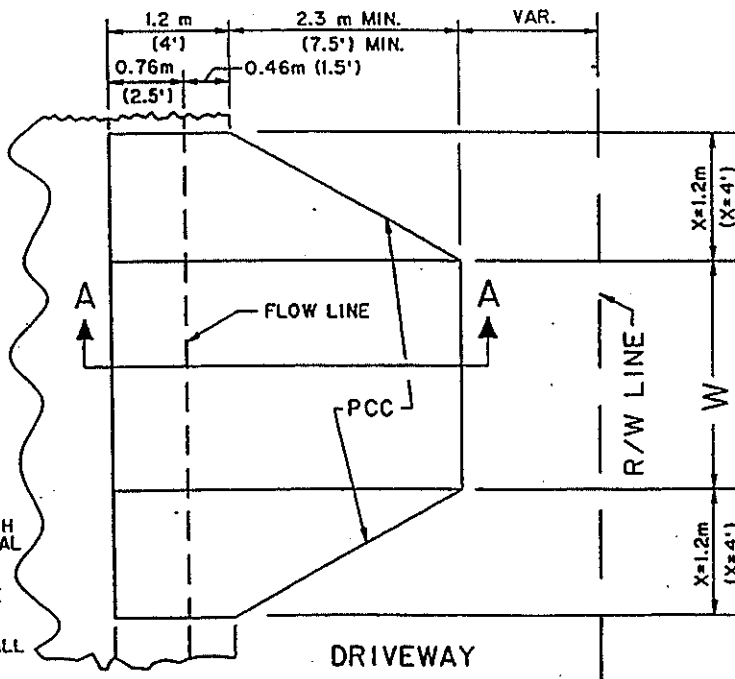
R/W

17.7m, 18.3m, OR 19.5m

R/W



DETAIL "A"



NOTES:

1. P AND T TO BE DETERMINED BY LABORATORY TESTS.
2. DIMENSIONS SHOWN ON THE PLAN FOR METRIC AND ENGLISH UNITS ARE NOT EXACTLY EQUAL VALUES. IF METRIC UNITS ARE USED, ALL VALUES USED FOR CONSTRUCTION SHALL BE METRIC VALUES. IF ENGLISH UNITS ARE USED, ALL VALUES USED FOR CONSTRUCTION SHALL BE ENGLISH VALUES.

LOS ANGELES COUNTY DEPARTMENT OF PUBLIC WORKS

INVERTED PCC SHOULDER STREET SECTION

STANDARD PLAN METRIC

1080-1

SHEET 1 OF 1

APPROVED

Thomas A. Pedemonte
DIRECTOR OF PUBLIC WORKS

5/31/1992
DATE

1999

REVISIONS

4.F.L.D.994012.1080-0